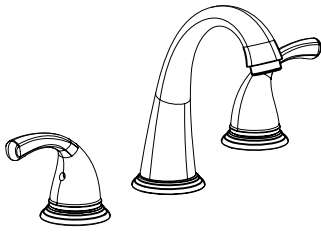


# INSTRUCTION



Two Handle Widespread Faucet  
 Model NO.: 429C-CP  
 429C-BN  
 429C-ORB

## Tools:

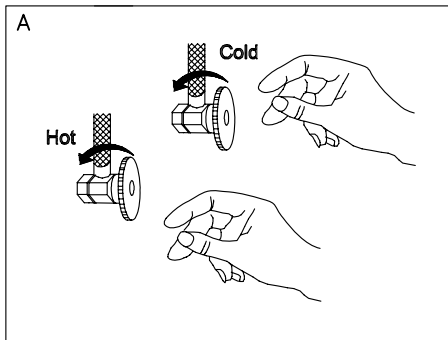
- Adjustable Wrench
- Pliers
- Pipe Wrench
- Screwdriver
- Teflon Tape



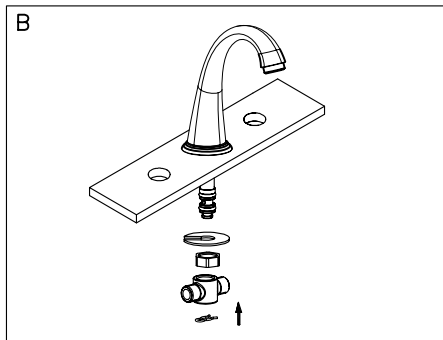
## Maintenance:

Your new Lavatory faucet is designed for years of trouble-free performance. Keep it looking new by cleaning it periodically with a soft cloth. Avoid abrasive cleaners, steel wool and harsh chemicals as these will dull the finish and void your warranty.

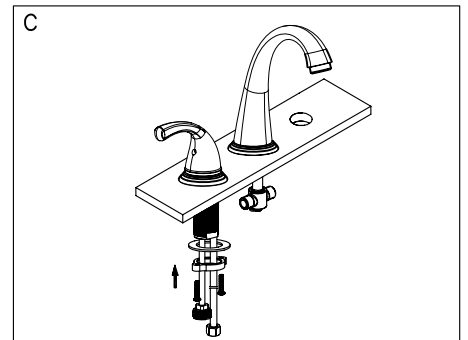
## Preparation / Assembly



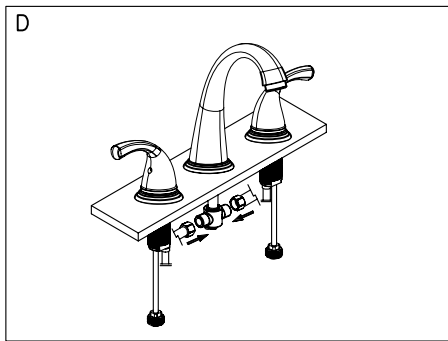
A. Shut off water supply at the valves. Remove old faucet and clean the mounting surface for installation of new faucet.



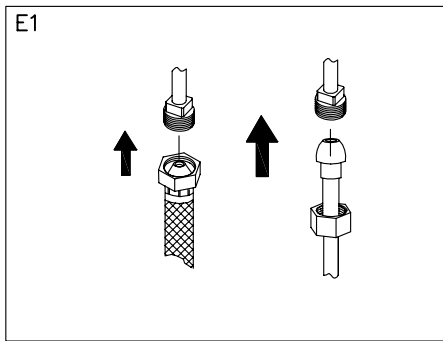
B. Place the spout into center hole of the sink. From under sink secure firmly to sink with metal washer and nut. Push the T-tube onto the end of the spout tube until it seats. (Caution: There are two O-RING that must seat firmly into the indentations provided on the spout casting.) Insert ring through the groove of the spout tube end. Make sure "T" inlets are aligned at an angle which will allow maximum clearance to connect hose



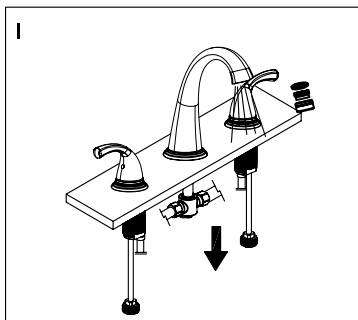
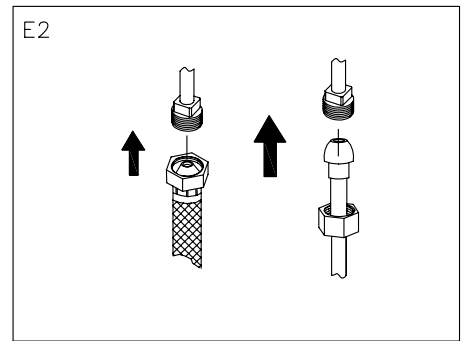
C. Insert the body with the hot supply label is on the (hot) side. Hold the body in the proper position. Assemble metal washer and mounting nut onto body underside of sink, tighten it with the locking screw.



D. Position the bodies as in illustration to install 9.8" flexible water supply hoses on hot and cold inlets. Screw the hose nuts onto the T-tube and tighten firmly. Carefully bend the hoses to fit available space



E1. Stainless Steel Braided Faucet Supply Tubes: This is the simplest of all installations. If you are using stainless steel braided faucet supply tubes, this faucet requires one end of the supply tube to have a 1/2" female IPS connection. The other end of this supply tube must match the thread on the water supply fittings or shut off valve under the sink. Once you have identified the required tube, carefully follow the manufacturer's installations for each tube



I. Important: After installation is completed. Remove aerator then turn on water supply and allow both hot and cold water to run for at least one minute each. While water is running, check for leaks. Reinstall Aerator. Your new faucet is now ready to use.

Exploded Drawing  
RP(Replacement Parts)

Model NO.: 429C-CP  
429C-BN  
429C-ORB

